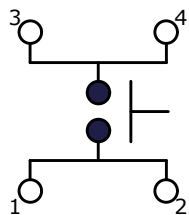
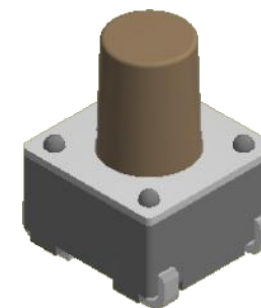
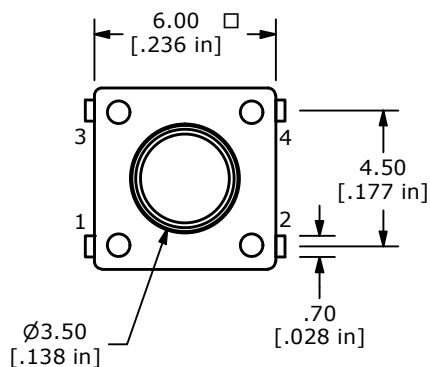
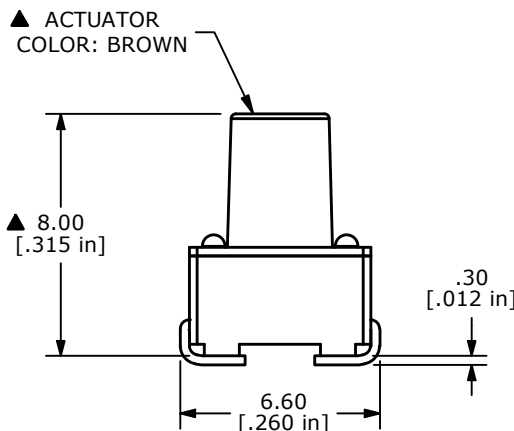


RECOMMENDED P.C.B. LAYOUT

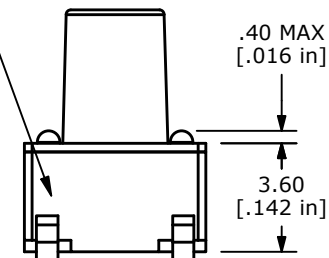


CIRCUIT: SPST



▲ ACTUATOR COLOR: BROWN

▲ USE GOLD DOME P990006



▲ TERMINALS TO BE COPLANER WITHIN 0.10 [.004 in]

NOTES:

1. ALL DIMENSIONS IN MM
2. GENERAL TOLERANCE: X.X=±0.4
X.XX=±0.25
3. TERM. NUMBERS FOR REFERENCE ONLY.
4. RATING: 12VDC, 50mA
- ▲ 5. OPERATING FORCE: 100 ± 50 gf
6. TRAVEL: 0.25mm +0.2/-0.1mm
7. CONTACT RESISTANCE: 100 MILLI OHMS MAX. (INITIAL)
8. MECHANICAL/ELECTRICAL LIFE 100,000 CYCLES MIN.
- ▲ 9. CONTACT MATERIAL: GOLD
- ▲ 10. PACKAGE: TAPE AND REEL 1,200 PIECES PER REEL
11. ▲ DENOTES CRITICAL PARAMETER
12. OPERATING TEMP: -40°C TO 85°C

H	24701	CHANGE OPERATING TEMP	2/5/21	JM
G	15965	UPDATE NOTES	4/17/06	CT
F	15949	REVISED REDRAWN	4/5/06	PH
REV	PCR NO	DESCRIPTION	DATE	BY



TITLE TL3301CF100RJ				
SCALE	DATE	DR	DWG	REV
4:1	1/19/2006	PH	P010506	H

THE INFORMATION CONTAINED IN THIS DOCUMENT IS PROPRIETARY TO E-SWITCH AND IS NOT TO BE COPIED OR TRANSFERRED